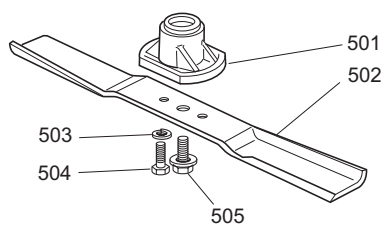
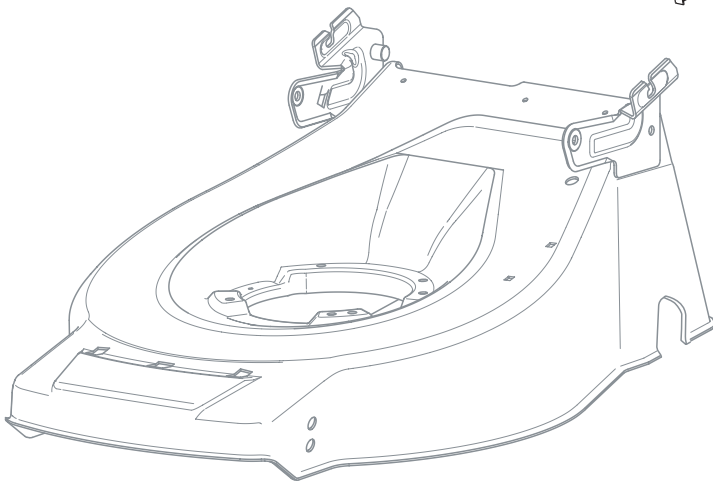
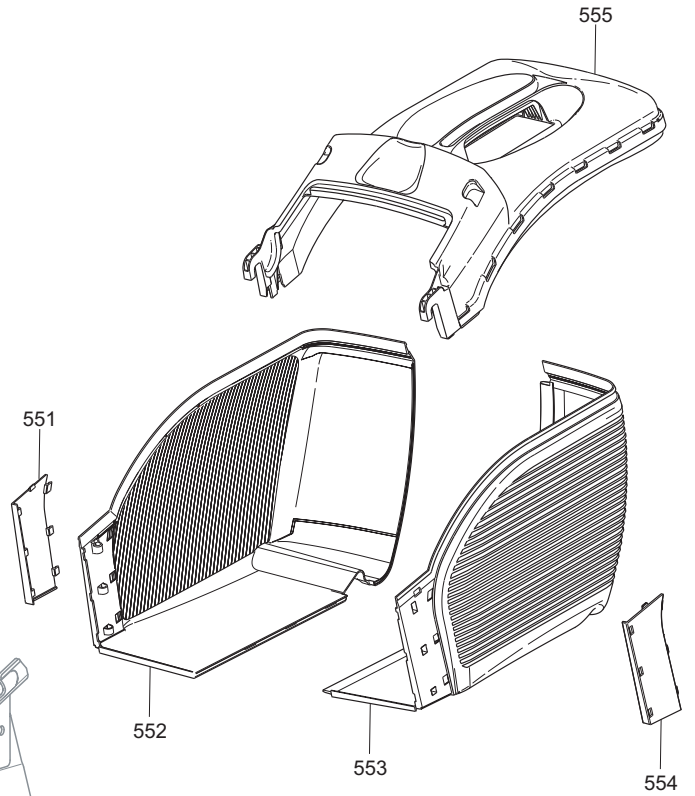
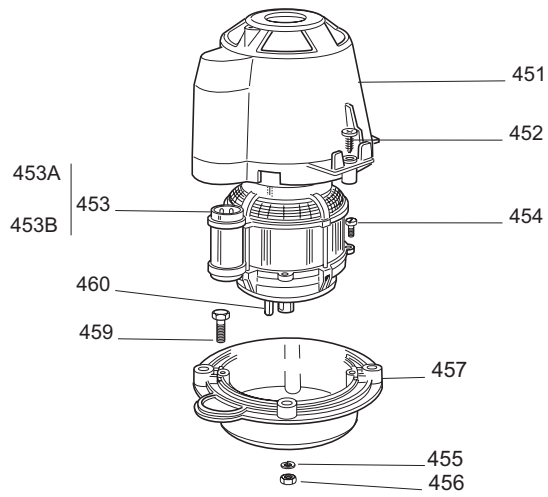
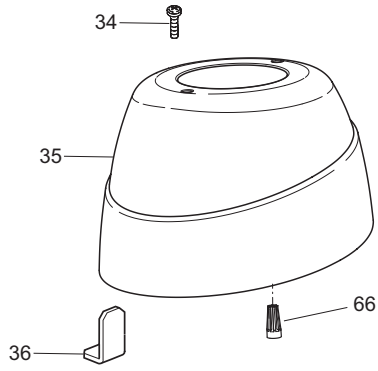


B108



Ausgabe Issue 2008- 52		Bild Nr Picture No B108		VARIOLUX 48 EC CHASSIE HOLM		VARIOLUX 48 EC CHASSIS HANDLE		Seite Page 24	
Pos. Fig.	Anzahl/Quantity				Artikel Nr. Part No	Bezeichnung	Description	Satz Kit	Anmerkung Notes
1	1				81002706/0	Chassie.....	Chassis .....		
2	3				12728530/0	Schraube .....	Screw .....		
3	1				22060198/0	Riemenschutz.....	Belt protection.....		
6	1				22291150/0	Gummieminsatz.....	Rubber insert .....		
7	1				22109715/0	Haube .....	Cover .....		
8	2				12728688/0	Schraube .....	Screw .....		
9	3				12731600/1	Schraube .....	Screw .....		
10	2				12604899/0	Schloßscheibe .....	Lock washer .....		
11	1				22517859/0	Stange .....	Rod .....		
12	1				22450421/0	Feder- L .....	Spring- LH.....		
13	1				22450422/0	Feder- R .....	Spring- RH .....		
14	1				22109719/0	Halter.....	Support .....		
15	1				22600133/0	Prallblech.....	Stone guard .....		
16	2				18566110/0	Propfen.....	Cap.....		
17	1				81006649/0	Holm- Unterteil .....	Handle- lower .....		
18	2				81006659/0	Holmrohr .....	Handle tube .....		
19	1				81006657/0	Holm- Oberteil .....	Handle- upper.....		
20	1				122291058/1	Handgriff .....	Handgrip .....		
21	2				22524334/0	Bolzen.....	Pin .....		
22	2				12604899/0	Schloßscheibe .....	Lock washer .....		
23	4				81003250/0	Sperrhebel.....	Handle block lever.....		
24	4				22680011/0	Scheibe.....	Washer.....		
25	4				25670011/0	Scheibe.....	Washer.....		
26	4				22399816/0	Schloßrad .....	Locking knob .....		
27	4				12293200/0	Mutter.....	Nut .....		
28	2				22820066/1	Propfen.....	Cap.....		
29	2				22245061/0	Ringmutter- innere.....	Ring nut- internal .....		
30	2				22245060/0	Ringmutter- äußere.....	Ring nut- external.....		
31	2				12728701/0	Schraube .....	Screw .....		
32	1				22393613/0	Holmdeckel- untere.....	Handle cover- lower .....		
33	1				22393612/0	Holmdeckel- obere.....	Handle cover- upper .....		
37	2				12728703/0	Schraube .....	Screw .....		
38	1				81600507/0	Schalter .....	Dead hand switch.....		
38	1				81600508/0	Schalter .....	Dead hand switch.....		die Schweiz
39	1				22283008/0	Stütz .....	Support .....		
40	1				22195101/4	Zugentlaster.....	Fairlead .....		
41	2				22192000/1	Kabelhalter.....	Anchor clamp.....		
51	4				12728701/0	Schraube .....	Screw .....		
58	3				22109538/0	Deckel .....	Cap.....		
64	1				22283007/0	Schutz .....	Protection .....		
65	1				22283005/0	Schutz .....	Protection .....		
67	1				22192151/0	Kabelhalter.....	Anchor clamp.....		
231	1				22140223/0	Mulch Deflektor .....	Mulch plug.....		

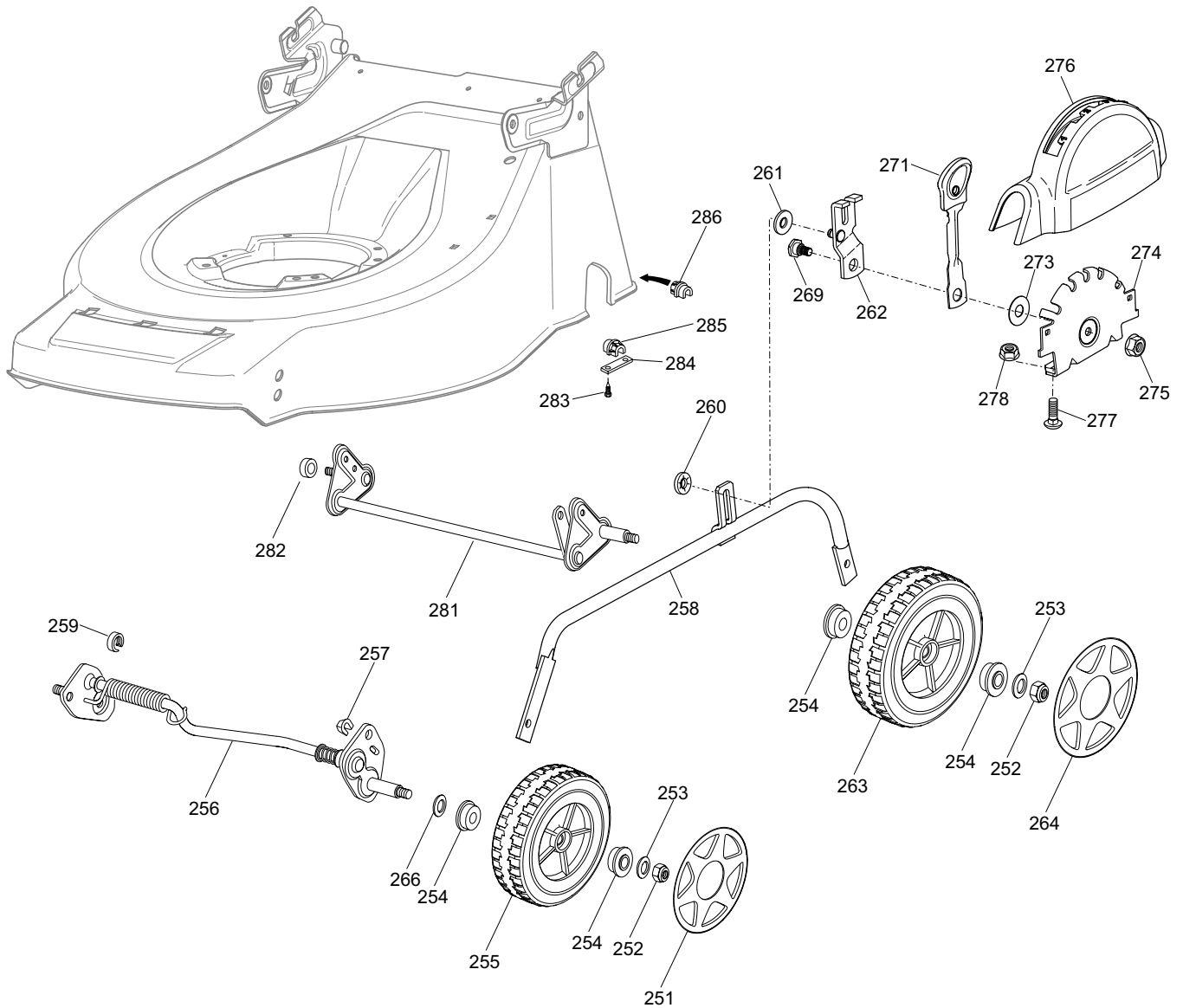
X



B110A



Ausgabe Issue		Bild Nr Picture No		VARIOLUX 48 EC MOTOR	VARIOLUX 48 EC MOTOR	Seite Page			
2008- 52		B110A				26			
Pos. Fig.	Anzahl/Quantity				Artikel Nr. Part No	Bezeichnung	Description	Satz Kit	Anmerkung Notes
34	2			12728720/0	Schraube .....	Screw .....			
35	1			22055099/0	Haube .....	Motor cover .....			
36	2			22557154/0	Platte .....	Plate .....			
66	2			22170625/0	Distanz .....	Spacer .....			
451	1			22785061/0	Haubenhalter .....	Cover support .....			
452	4			12728710/0	Schraube .....	Screw .....			
453	1			18563605/0	El. Motor .....	El. motor .....		Inkl. 453A - 453B	
453 A	1			18740054/0	• Lüfter .....	• Fan .....			
453 B	1			18222045/0	• Kondensator .....	• Capacitor .....		16 uF	
454	4			12735410/0	Schraube .....	Screw .....			
455	4			12583500/0	Schloßscheibe .....	Washer .....			
456	4			12293200/0	Mutter .....	Nut .....			
457	1			22207216/0	Flansch .....	Flange .....			
459	4			12793700/0	Schraube .....	Screw .....			
460	1			12139440/0	Keil .....	Key .....			
501	1			22463186/2	Messerhalter .....	Blade holder .....			
502	1			1111- 9741- 01	Messer .....	Blade .....			
503	2			12583500/0	Schloßscheibe .....	Washer .....			
504	2			12793101/0	Schraube .....	Screw .....			
505	1			1111- 9755- 01	Blade bolt .....	Blade bolt .....			
551	1			22486156/0	Profil- R .....	Profile- RH .....			
552	1			22486154/0	Graskorb- untere, R .....	Grass box- lower, RH .....			
553	1			22486155/0	Graskorb- untere, L .....	Grass box- lower, LH .....			
554	1			22486157/0	Profil- L .....	Profile- LH .....			
555	1			22486153/0	Graskorb- Oberteil .....	Grass box- upper .....			





Ausgabe Issue 2008- 52		Bild Nr Picture No B107		VARIOLUX 48 EC RADAUFHÄNGUNG		VARIOLUX 48 EC WHEEL SUSPENSION		Seite Page 28	
Pos. Fig.	Anzahl/Quantity				Artikel Nr. Part No	Bezeichnung	Description	Satz Kit	Anmerkung Notes
251	2				22110409/0	Radkappe.....	Hub cap.....		
252	4				12155000/0	Mutter.....	Nut.....		
253	4				12521350/0	Scheibe.....	Washer.....		
254	8				22122200/0	Kugellager .....	Ball bearing .....		
255	2				81007351/0	Rad.....	Wheel.....		
256	1				81000141/1	Radachse- vorne.....	Wheel axle- front.....		
257	2				12436050/0	Platte .....	Plate.....		
258	1				81006491/0	Höhenverstellstange .....	Height adjust rod .....		
259	1				22171002/0	Distanz.....	Spacer.....		
260	1				12604896/0	Schloßscheibe .....	Lock washer.....		
261	1				12369500/0	Scheibe.....	Washer.....		
262	1				81005121/0	Halter.....	Attachment.....		
263	2				81007343/0	Rad.....	Wheel.....		
264	2				22110410/0	Radkappe.....	Hub cap.....		
266	4				12530150/0	Scheibe.....	Washer.....		
269	1				22524333/0	Bolzen.....	Bolt.....		
271	1				81003321/0	Höhenverstellhebel .....	Height adjust lever .....		
273	1				22672152/0	Scheibe.....	Washer.....		
274	1				22735571/1	Höhenverstellsektor .....	Height adjust sector .....		
275	1				12154210/0	Mutter.....	Nut.....		
276	1				22109714/0	Deckel.....	Cover.....		
277	2				12815200/0	Schraube .....	Screw.....		
278	2				12292102/0	Mutter.....	Nut.....		
281	1				81001278/0	Radachse- hinten .....	Wheel axle- rear .....		
282	1				22170800/0	Distanz.....	Spacer.....		
283	4				12731350/0	Schraube .....	Screw.....		
284	2				22545142/0	Platte .....	Plate.....		
285	1				22038403/0	Buchse- L.....	Bushing- LH.....		
286	1				22038402/0	Buchse- R.....	Bushing- RH.....		